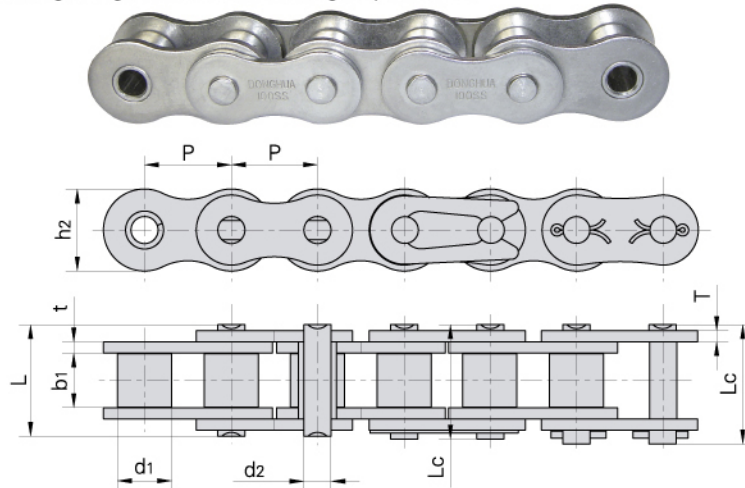


Stainless steel roller chains

Rollenketten aus rostfreiem Stahl

Stainless steel chains are suitable for corrosive conditions involving food, chemicals, pharmaceuticals, etc. also suitable for high and low temperature conditions

Rollenketten aus rostfreiem Stahl sind geeignet für Anwendungen in der korrosiven Umgebung, z.B. durch Lebensmittel, Chemikalien, Medikamente etc. Sie sind auch geeignet für Anwendungen in der Umgebung der Hoch- und Niedrigtemperaturen.



| Donghua Chain No. Donghua Ketten Nr. | Pitch | Roller diameter | Width between inner plates | Pin diameter | Pin length | | Inner plate depth | Plate thickness | Breaking load | Weight per meter |
|---|---------|--------------------|----------------------------|--------------------|--------------|--------|--------------------|-----------------|-----------------|------------------|
| | Teilung | Rollen-durchmesser | Innere Breite | Bolzen-durchmesser | Bolzen-länge | | Innen-laschen-höhe | Laschen-dicke | Min. Bruchkraft | Gewicht |
| | P | d1 max | b1 min | d2 max | L max | Lc max | h2 max | t/T max | Q | q |
| | mm | mm | mm | mm | mm | mm | mm | mm | kN/LB | kg/m |
| *25SS | 6.350 | 3.30 | 3.18 | 2.31 | 7.9 | 8.40 | 6.00 | 0.80 | 2.5/568 | 0.15 |
| *35SS | 9.525 | 5.08 | 4.77 | 3.58 | 12.4 | 13.17 | 9.00 | 1.30 | 5.5/1250 | 0.33 |
| 40SS | 12.700 | 7.95 | 7.85 | 3.96 | 16.6 | 17.80 | 12.00 | 1.50 | 9.6/2182 | 0.63 |
| 41SS | 12.700 | 7.77 | 6.25 | 3.58 | 13.75 | 15.00 | 9.91 | 1.30 | 6.0/1360 | 0.46 |
| 50SS | 15.875 | 10.16 | 9.40 | 5.08 | 20.7 | 22.20 | 15.09 | 2.03 | 15.2/3455 | 1.03 |
| 60SS | 19.050 | 11.91 | 12.57 | 5.94 | 25.9 | 27.70 | 18.00 | 2.42 | 21.7/4932 | 1.51 |
| 80SS | 25.400 | 15.88 | 15.75 | 7.92 | 32.7 | 35.00 | 24.00 | 3.25 | 38.9/8841 | 2.62 |
| 100SS | 31.750 | 19.05 | 18.90 | 9.53 | 40.4 | 44.70 | 30.00 | 4.00 | 60.0/13636 | 3.94 |
| 120SS | 38.100 | 22.23 | 25.22 | 11.10 | 50.3 | 54.30 | 35.70 | 4.80 | 72.5/16477 | 5.72 |
| 140SS | 44.450 | 25.40 | 25.22 | 12.70 | 54.4 | 59.00 | 41.0 | 5.60 | 94.0/21363 | 7.70 |
| 04BSS | 6.000 | 4.00 | 2.80 | 1.85 | 6.80 | 7.80 | 5.00 | 0.60 | 2.0/455 | 0.11 |
| 05BSS | 8.000 | 5.00 | 3.00 | 2.31 | 8.20 | 8.90 | 7.10 | 0.80 | 3.5/795 | 0.20 |
| #06BSS | 9.525 | 6.35 | 5.72 | 3.28 | 13.15 | 14.10 | 8.20 | 1.30 | 6.2/1409 | 0.41 |
| 08BSS | 12.700 | 8.51 | 7.75 | 4.45 | 16.7 | 18.20 | 11.80 | 1.60 | 12.0/2727 | 0.70 |
| 10BSS | 15.875 | 10.16 | 9.65 | 5.08 | 19.5 | 20.90 | 14.70 | 1.70 | 14.5/3295 | 0.94 |
| 12BSS | 19.050 | 12.07 | 11.68 | 5.72 | 22.5 | 24.20 | 16.00 | 1.85 | 18.5/4205 | 1.16 |
| 16BSS | 25.400 | 15.88 | 17.02 | 8.28 | 36.1 | 37.40 | 21.00 | 4.15/3.1 | 40.0/9091 | 2.73 |
| 20BSS | 31.750 | 19.05 | 19.56 | 10.19 | 41.3 | 45.00 | 26.40 | 4.5/3.5 | 59.0/13409 | 3.73 |
| 24BSS | 38.100 | 25.40 | 25.40 | 14.63 | 53.4 | 57.80 | 33.20 | 6.0/4.8 | 104.0/25454 | 7.20 |
| 32BSS | 50.800 | 29.21 | 30.99 | 17.81 | 66.0 | 71.00 | 42.00 | 7.0/6.0 | 150.0/34090 | 10.22 |

*Bushing chain: d1 in the table indicate the external diameter of the bushing
 *Buchsenketten: In dieser Tabelle zeigt d1 den Außendurchmesser der Buchsen.

#Straight side plates
 #Gerade Laschen

ROLLENKETTEN AUS ROSTFREIEM STAHL