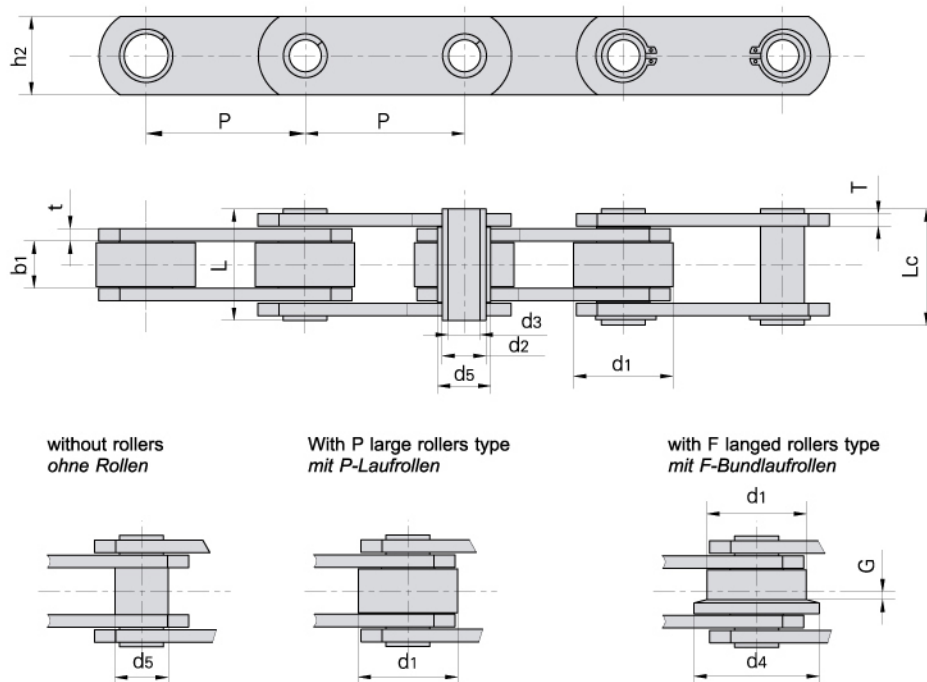


Hollow pin conveyor chains (ZC series) Förderketten mit Hohlbolzen (ZC Serie)



Donghua Chain No. Donghua Ketten Nr.	Pitch Teilung							Roller dimension Rollenabmessungen			Bush diameter Buchsendurchmesser	Plate depth Laschenhöhe
	P							d1 max	d4 max	G	d5 max	h2 max
	mm							mm	mm	mm	mm	mm
ZC21	38.1	50.8	63.5	76.2	-	-	-	25.40	-	-	11.0	18.0
ZC40	50.8	63.5	76.2	88.9	101.6	127.0	152.4	31.75	40.0	2.5	17.0	25.0
ZC60	76.2	88.9	101.6	127.0	152.4	177.8	203.2	47.50	60.0	3.5	23.0	40.0
ZC150	101.6	127.0	152.4	177.8	203.2	228.6	254.0	66.70	82.0	4.0	33.0	50.0
ZC300	152.4	177.8	203.2	254.0	304.8	-	-	88.90	114.0	8.5	38.0	60.0

Donghua Chain No. Donghua Ketten Nr.	Width between inner plates Innere Breite	Pin diameter Bolzendurchmesser		Pin length Bolzenlänge	Plate thickness Laschendicke	Breaking load Min. Bruchkraft		
	b1	d2	d3	L	Lc	t/T	Q	*Q
	min mm	max mm	min mm	max mm	max mm	max mm	min kN/LB	min kN/LB
ZC21	12.7	9.0	6.5	26.0	27.5	2.5	21.0/4772	27.1/6159
ZC40	15.0	14.0	10.2	36.4	37.7	4.0	40.0/9091	50.0/11362
ZC60	19.0	19.0	13.2	45.0	46.5	5.0/4.0	60.0/13636	120.0/27270
ZC150	26.0	26.9	20.2	58.0	60.5	7.0/5.0	150.0/34087	190.0/43177
ZC300	38.0	32.0	22.5	83.0	85.0	10.0/8.0	300.0/68175	380.0/86362

*Q Higher breaking load with hardened plates
*Q höhere Bruchkraft durch gehärtete Laschen.